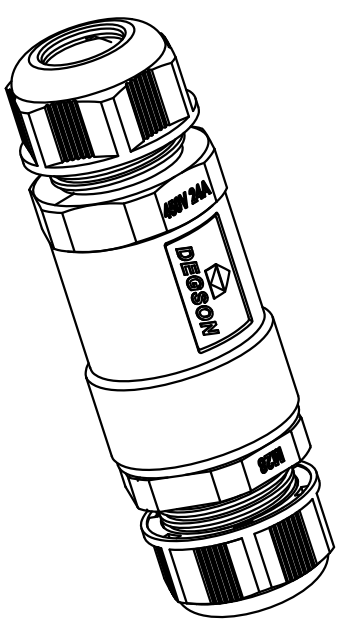
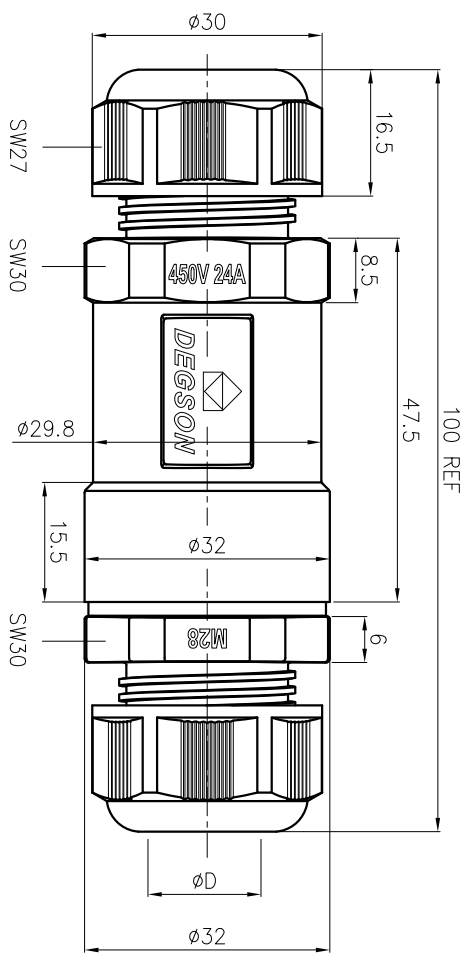


REVISION RECORD			
REV	ECN	DESCRIPTION	DWFT DATE

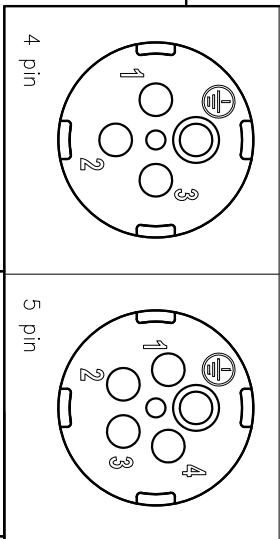


Type	øD	Cable OD
● A	ø14.0	ø10~14
B	ø12.0	ø7~12
C		

YX-C-4 N-M28-10-14
 Conductors NO. 10-14: Cable OD: ø10~ø14
 7-12: Cable OD: ø7~ø12
 Pin: 4.5

Technique parameter-4 PIN	
Rated voltage	450V
Rated current	24A
Insulation resistance	≥100MΩ
Withstanding voltage	800V AC
Operating temperature	-40°C~+85°C
Levels of protection	IP68
Cable OD.	ø10~ø14

- NOTES:
1. Plastic shell material: PA66
 2. Carrier material: Cu, Plating: Ni
 3. Mode of connection: Screw,
 4. Scope of wiring: 1.0~2.5mm²,
 5. RoHS Compliance



DETACHED LISTS			
PART NO.: YX-C-4N-M28-10-14	NAME: M28-4芯直式防水连接器	NINGBO DEGSON ELECTRICAL CO., LTD 宁波高松电子有限公司	
APPD:	CHKD:	TITLE: ASSEMBLY DRAWING	REV DO-1
DWFT: WYM 2019/04/26	THIRD ANGLE PROJECTION	DRAWING NO.: XX	SHEET 1/1
		DO NOT SCALE DRAWING	SCALE 1:1